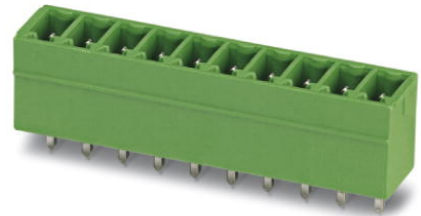


## MCV 1,5/ 5-G-3,5

Order No.: 1843635

The figure shows a 10-position version of the product

<http://eshop.phoenixcontact.de/phoenix/treeViewClick.do?UID=1843635>Header, nominal current: 8 A, rated voltage: 160 V, pitch: 3.5 mm, no.  
of positions: 5, mounting: Soldering

### Commercial data

|                          |                    |
|--------------------------|--------------------|
| EAN                      | 4017918112783      |
| Pack                     | 50 Pcs.            |
| Customs tariff           | 85366990           |
| Weight/Piece             | 0.001562 KG        |
| Catalog page information | Page 153 (CC-2007) |

### Product notes

WEEE/RoHS-compliant since:  
01/01/2003

<http://www.download.phoenixcontact.com>  
Please note that the data given here has been taken from the online catalog. For comprehensive information and data, please refer to the user documentation. The General Terms and Conditions of Use apply to Internet downloads.

### Technical data

#### Dimensions / positions

|                     |              |
|---------------------|--------------|
| Pitch               | 3.5 mm       |
| Dimension a         | 14 mm        |
| Number of positions | 5            |
| Pin dimensions      | 0,8 x 0,8 mm |
| Hole diameter       | 1.2 mm       |

**Technical data**

|                                    |        |
|------------------------------------|--------|
| Insulating material group          | IIIa   |
| Rated surge voltage (III/3)        | 2.5 kV |
| Rated surge voltage (III/2)        | 2.5 kV |
| Rated surge voltage (II/2)         | 2.5 kV |
| Rated voltage (III/2)              | 160 V  |
| Rated voltage (II/2)               | 250 V  |
| Connection in acc. with standard   | EN-VDE |
| Nominal current $I_N$              | 8 A    |
| Nominal voltage $U_N$              | 160 V  |
| Maximum load current               | 8 A    |
| Insulating material                | PBT    |
| Inflammability class acc. to UL 94 | V0     |

**Certificates / Approvals**

Approval logo



**CSA**

|                       |       |
|-----------------------|-------|
| Nominal voltage $U_N$ | 300 V |
| Nominal current $I_N$ | 8 A   |

**CUL**

|                       |       |
|-----------------------|-------|
| Nominal voltage $U_N$ | 300 V |
| Nominal current $I_N$ | 8 A   |

**UL**

|                       |                                 |
|-----------------------|---------------------------------|
| Nominal voltage $U_N$ | 300 V                           |
| Nominal current $I_N$ | 8 A                             |
| Certification         | CB, CSA, CUL, GOST, UL, VDE-PZI |

### Accessories

| Item           | Designation             | Description   |
|----------------|-------------------------|---|
| <b>Marking</b> |                         |   |
| 1051993        | B-STIFT                 | Marker pen, for manual labeling of unprinted Zack strips, smear-proof and waterproof, line thickness 0.5 mm   |
| 0804073        | SK 3,5/2,8:FORTL.ZAHLEN | Marker card, printed horizontally, self-adhesive, 10-section marker strip, 14 identical decades marked 1-10, 11-20 etc. up to 91-100, sufficient for 140 terminal blocks                  |
| 0805030        | SK 3,5/2,8:SO           | Marker card, special printing, self-adhesive, labeled acc. to customer requirements, 14 identical marker strips per card, max. 25-position labeling per strip, color: White               |
| 0803883        | SK U/2,8 WH:UNBEDRUCKT  | Unprinted marker cards, DIN A4 format, pitch as desired, self-adhesive, with 50 stamped marker strips, 185 mm strip length, can be labeled with the CMS system or manually with the M-PEN |

### Plug/Adapter

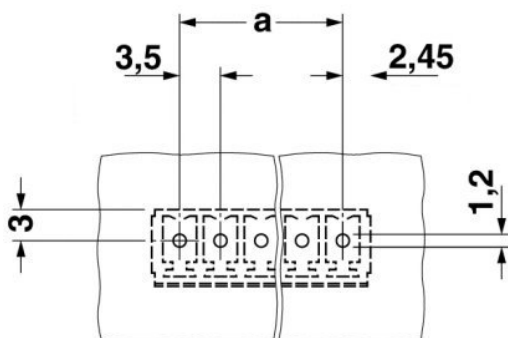
|         |         |   |
|---------|---------|---|
| 1734634 | CP-MSTB | Coding profile, is inserted into the slot on the plug or inverted header, red insulating material |
|---------|---------|---|

### Additional products

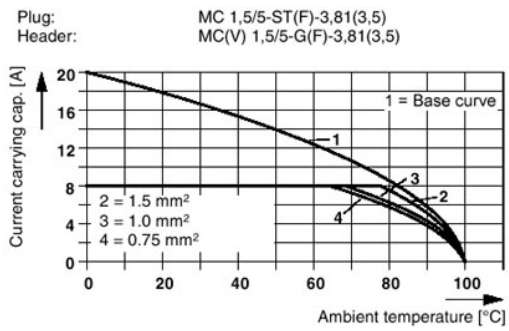
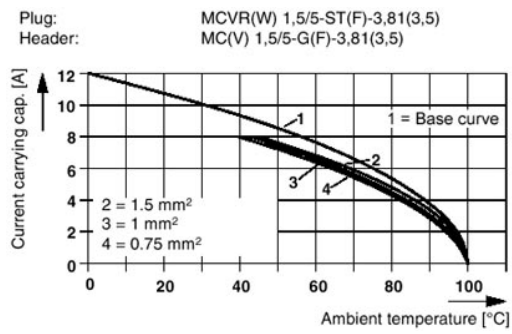
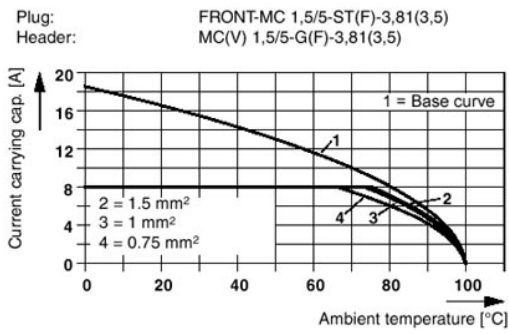
| Item           | Designation        | Description  |
|----------------|--------------------|--|
| <b>General</b> |                    |  |
| 1840395        | MC 1,5/ 5-ST-3,5   | Plug component, nominal current: 8 A, rated voltage: 160 V, pitch: 3.5 mm, no. of positions: 5, type of connection: Screw connection |
| 1863181        | MCVR 1,5/ 5-ST-3,5 | Plug component, nominal current: 8 A, rated voltage: 160 V, pitch: 3.5 mm, no. of positions: 5, type of connection: Screw connection |
| 1862881        | MCVW 1,5/ 5-ST-3,5 | Plug component, nominal current: 8 A, rated voltage: 160 V, pitch: 3.5 mm, no. of positions: 5, type of connection: Screw connection |

### Drawings

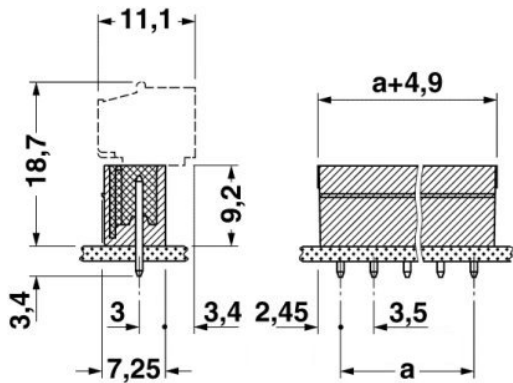
Drilling diagram



Diagram



Dimensioned drawing



**Address**

PHOENIX CONTACT GmbH & Co. KG  
Flachmarktstr. 8  
32825 Blomberg, Germany  
Phone +49 5235 3 00  
Fax +49 5235 3 41200  
<http://www.phoenixcontact.de>



© 2008 Phoenix Contact  
Technical modifications reserved;